

電控可調焦液態鏡頭

Focus Tunable Lenses

Features:

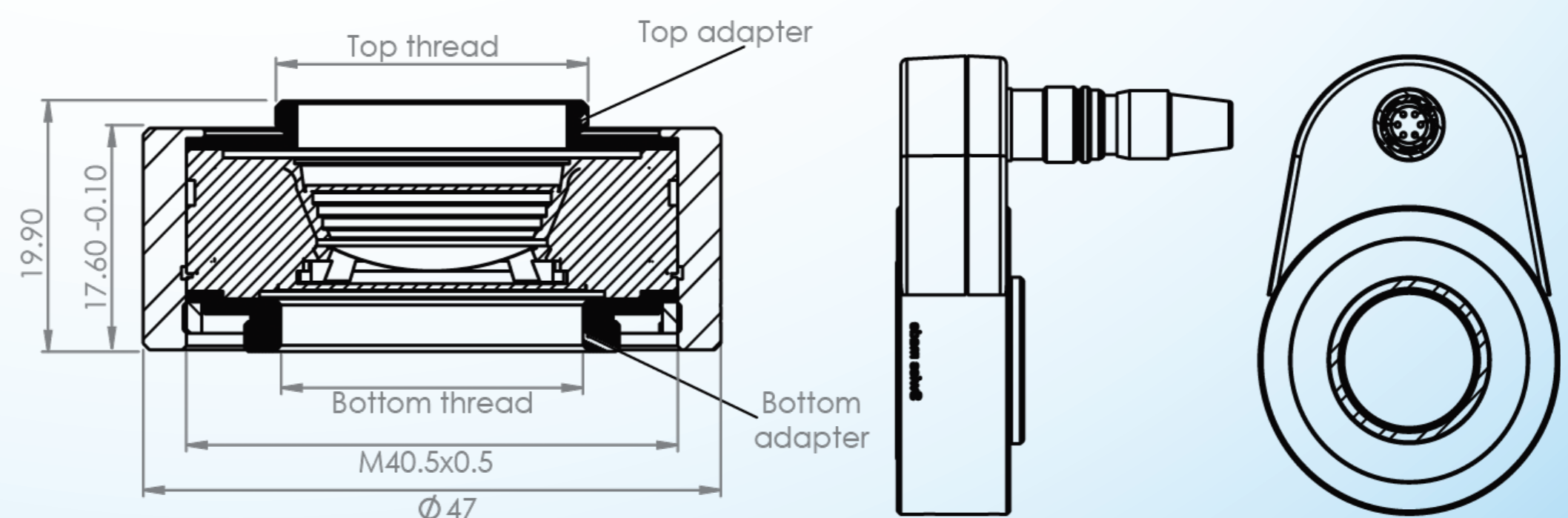
- ◆ The 60% larger aperture than its predecessor allows for 2.5x more light throughput
- ◆ Flat, zero optical power state
- ◆ Strong actuator offers an optical power range of up to -10 to +10 diopters ("push/pull design")
- ◆ Low thermal drift allows for high reproducibility
- ◆ High pointing accuracy
- ◆ Compact design



With a clear aperture of 16 mm Optotune presents the world's largest electrically focus tunable lens. Its design has been optimized in many ways: The EL-16-40-TC is available in its compact form for OEM integration but also with multiple thread adapters and a robust Hirose connector for industrial use, where the tunable lens can be easily combined with off-the-shelf imaging lenses.



EL-16-40-TC-VIS-20D-C



Application:

- ◆ Machine vision
- ◆ Microscopy
- ◆ Phoropters
- ◆ Augmented reality
- ◆ Night vision