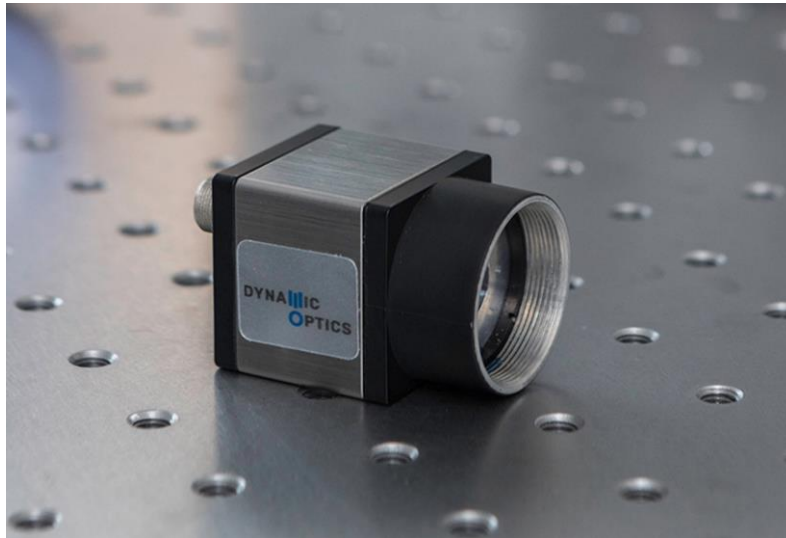




PHOTONLOOP PHOTONPROBE

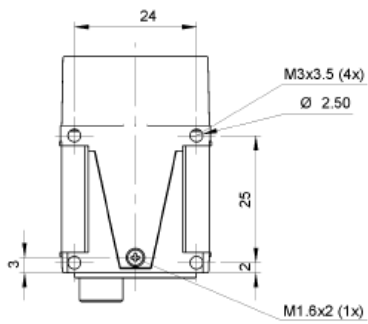
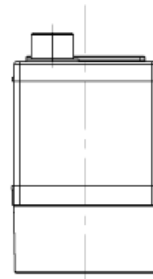
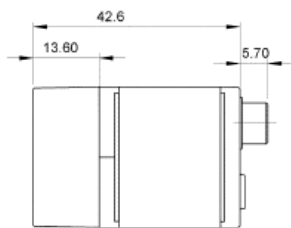
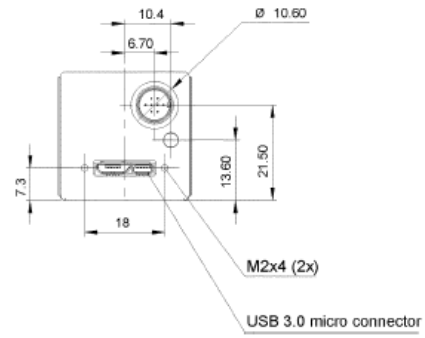
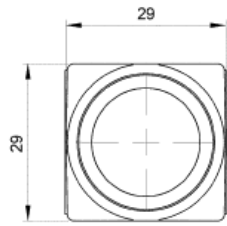
Shack Hartmann Wavefront sensor
Specification Sheet

III SPECIFICATIONS

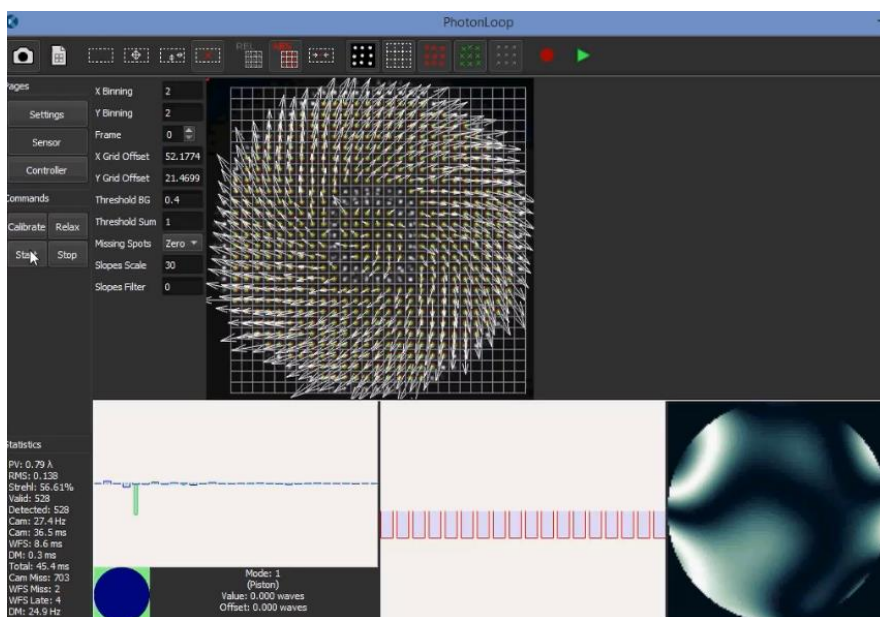


PHOTONLOOP	
Lenslet array	150um pitch, 5.2mm focal length (custom available)
Frame rate	500fps with 100 centroids (1kHz on request)
Sensor size	9mm x 7.13mm Aperture diameter: 9mm
Trigger	External Trigger 5V
Communication	USB 3.0
Controller	Proportional-Integrative controller
Calibration	Influence functions and Hadamard
Control	Closed loop and Open loop
Programming	Programmable via Java Script
	Data Logging
	PSF Computation
Compatibility with other deformable mirrors	Alpao, Adaptica, OKO, BMC, Thorlabs and Dynamic Optics
Operating System	Windows 8/10 x64

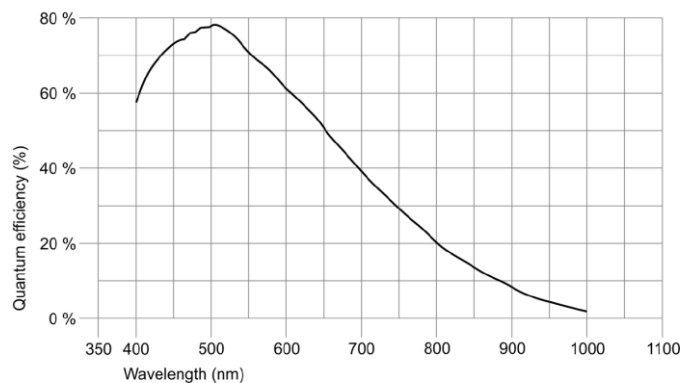
TECHNICAL DRAWINGS



GRAPHICAL INTERFACE



DETECTOR QUANTUM EFFICIENCY



Detector data

pix size	5,86E-06	m
G conv	8,1	e ⁻ /LSB
dark noise	7,36	e ⁻
full well capacity	3,05E+04	e ⁻
ADC resolution	12	bit