

# KeyWId-3000H-A1 Handheld Laser Welding Head

Spec 1000 Rev. A

### Features

- Lightweight
- Air Cooled
- Proprietary Locking Method of QBH

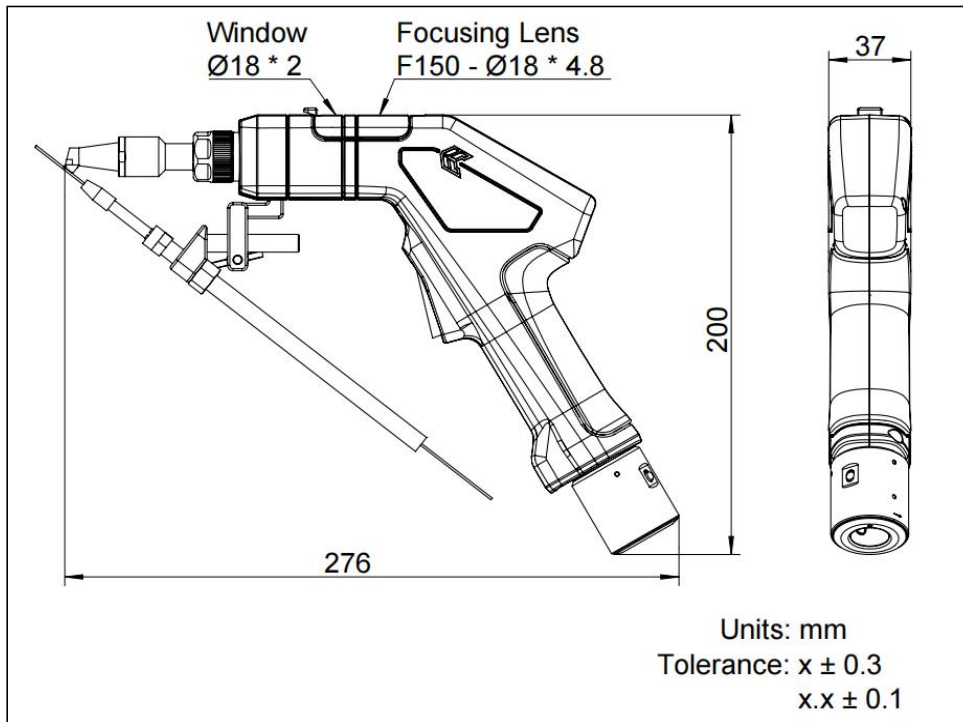
### Applications

- Laser Welding
- Laser Cutting
- Laser Cleaning

### Specifications

| Parameter                | Unit | Value     |
|--------------------------|------|-----------|
| Laser Power              | W    | ≤ 3000    |
| Operating Wavelength     | nm   | 1080 ± 10 |
| Numerical Aperture (NA)  | -    | ≤ 0.11    |
| Focus Adjustable Range   | mm   | ± 10      |
| Compatible Interface     | -    | QBH       |
| Wobble Amplitude         | mm   | ± 3       |
| Wobble Frequency         | Hz   | ≤ 300     |
| Hose Diameters (ID / OD) | mm   | 4 / 6     |
| Weight                   | kg   | ≤ 0.7     |
| Operating Temperature    | °C   | 0 ~ 45    |
| Storage Temperature      | °C   | -20 ~ 70  |

### Dimensions



### Ordering Information

KeyWId-3000H-A1