

KeyWld-2000-A1 Laser Welding Head

Spec 1003 Rev. A

Features

- Compact and Lightweight
- Proprietary Locking Method of QBH

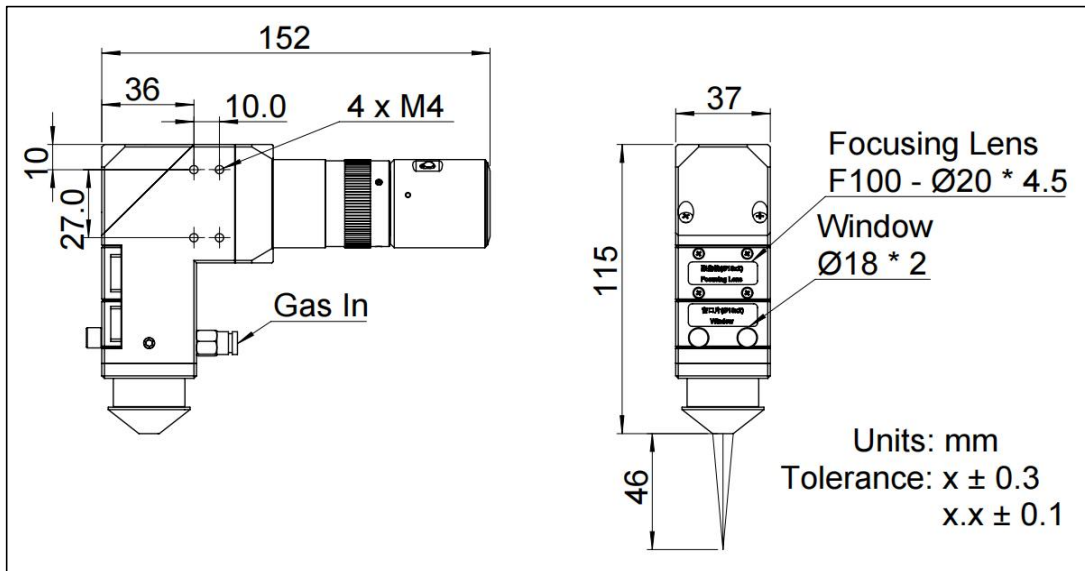
Applications

- Metal Welding
- Metal Cutting

Specifications

Parameter	Unit	Value
Laser Power	W	≤ 2000
Operating Wavelength	nm	1080 ± 10
Numerical Aperture (NA)	-	≤ 0.11
Compatible Interface	-	QBH
Gas Pressure	Mpa	≤ 1.5
Gas Hose Diameters (ID / OD)	mm	4 / 6
Weight	kg	≤ 0.65
Operating Temperature	°C	0 ~ 45
Storage Temperature	°C	-20 ~ 70

Dimensions



Ordering Information

KeyWld-2000-A1-①①①

①①①: Focal length

070 - 70 mm

100 - 100 mm