

## KeyWFS-1-A Wire Feeder

Spec 1009 Rev. A

### Features

- Dual-drive Wire Feeding Structure
- Smooth and Precise Wire Feeding

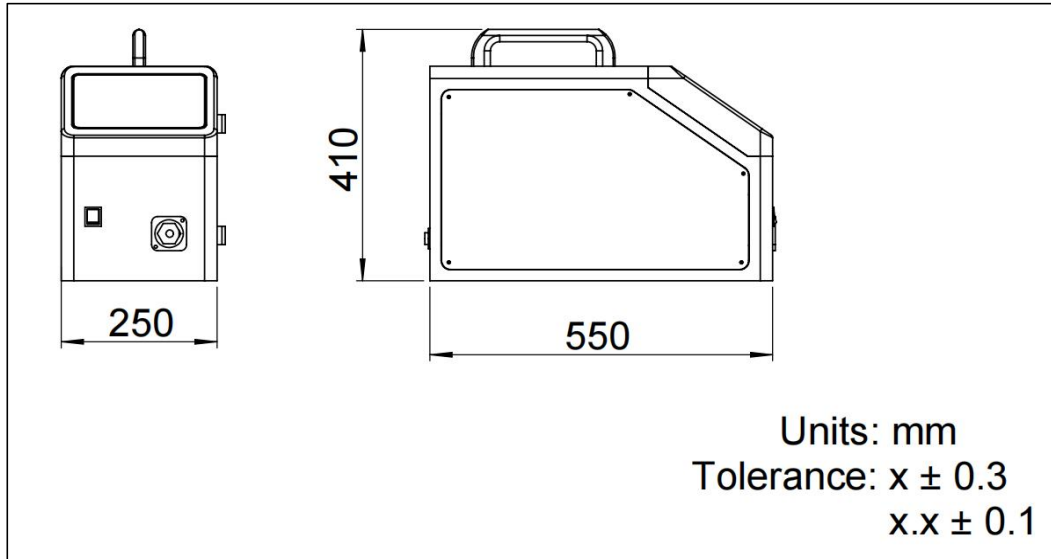
### Applications

- Laser Welding

### Specifications

Parameter	Unit	Value
Voltage AC	V	220
Power	W	75
Wire Diameter	mm	0.8 ~ 1.6
Wirefeed Speed Range	cm/min	20 ~ 600
Wirespool Shaft Diameter	mm	≥ 50
Wirespool Outside Diameter	mm	≤ 300
Wirespool Width	mm	≤ 105
Wirespool Weight	kg	< 20
Weight	kg	< 30.5
Operating Temperature	°C	0 ~ 45
Storage Temperature	°C	-20 ~ 70

### Dimensions



### Ordering Information

KeyWFS-1-A-①①-②

①①: Wire Diameter

16 - 0.8 ~ 1.6

SS - Specify

②: Interface

S - Touch Screen

P - Touch Panel

O - Others